



Technical data

RAR15 24D

Torque	15 Nm
Damper size	up to approx. 3.0 m ²
Control signal	on/off
Power supply	
RAR15 24D & RAR15 24D S2	24 Vac/dc
RAR15 220D & RAR15 220D S2	220 Vac
Power consumptions	
RAR15 24D & RAR15 24D S2	Operation 5.0 W, Stop 2.5 W
RAR15 220D & RAR15 220D S2	Operation 6.5 W, Stop 2.5 W
Frequency	50...60 Hz
For wire sizing	10 VA
Electric level	III (Safety Low Pressure)
Running time	Actuator 180 secs. Spring < 30 secs.
Angle of rotation	90° (95° mechanical)
Angle of rotation limiting	5° to 85° in 5° step
Life cycle	> 60.000 times
Noise	50dB(A) and 62dB(A)
Auxiliary switches	2 SPDT for RAR15 24D S2 and RAR15 220D S2
Connection	1 metres cable
Protection	IP 54
Ambient temp.	-20 to +50°C per IEC 721-3-3
Ambient humidity	5 to 95% rH
Maintenance	Maintenance free
Weight	Around 3 kgs
Certification	CE certificate

Features

- Spring return
- Torque 15 Nm
- For regulate dampers up to approx. 3.0 m²
- Control signal on/off
- For shaft dimensions
round 10 to 19 mm
square 10 to 16 mm
- Anti rotation bracket provided for stability
- Adjustable angle of rotation
- Selectable direction of rotation
by reversing actuator
- Position indicator
- Energy savings at end stops
- Supplied with 1 meter cable
- Power supply
24 Vac/dc for RAR15 24 D and RAR15 24D S2
220 Vac for RAR15 220D and RAR15 220D S2
- Running time
Actuator 180 secs.
Spring < 30 secs.
- Auxiliary switches for
RAR15 24D S2 and RAR15 220D S2

Ordering

Spring return damper actuator

Type no.	Description
RAR15 24D	15Nm, 24 Vac/dc, on/off
RAR15 220D	15Nm, 220 Vac, on/off
RAR15 24D S2	15Nm, 24 Vac/dc, on/off, with auxiliary switches
RAR15 220D S2	15Nm, 220 Vac, on/off, with auxiliary switches

Description

VCP spring return damper actuators are suitable for many applications including motorised control of dampers in ventilation systems such Building Automation Systems (BAS), Building Management Systems (BMS) or Heating, Ventilation, and Air Conditioning (HVAC) environments.

Solutions for VCP spring return damper actuators are ideal for control dampers, air handlers, economizer units, VAV terminal units, fan shutters, and unit ventilators.

VCP spring return damper actuators to be direct mount on standard damper shafts to control dampers.

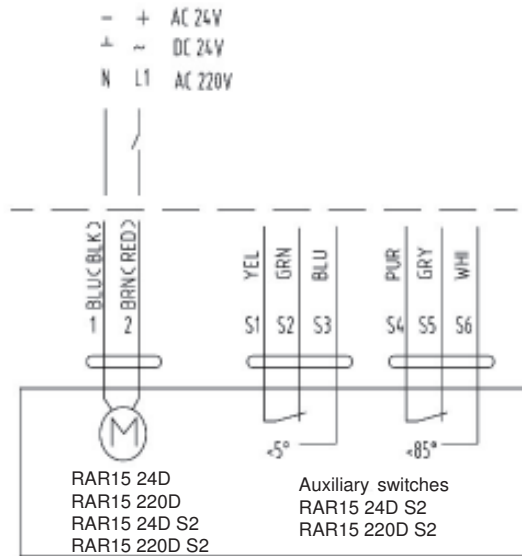
The spring return damper actuators from VCP are supplied with anti rotation bracket provided for stability, position indicator and energy savings at end stops.

The RAR15 24D and RAR15 220D spring return damper actuators with torque 15 Nm and with control signal on/off (two-position) are used to regulate dampers up to approx. 3.0 m².

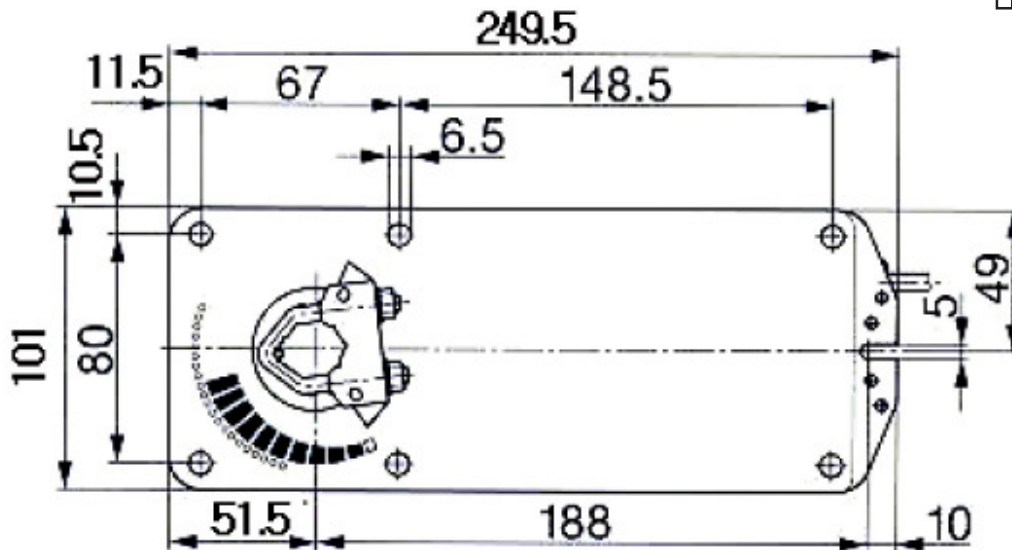
Running time for the RAR15 24D and RAR15 220D spring return damper actuators is 180 seconds for the actuator and < 30 seconds for the spring.

Auxiliary switches equipped on the spring return damper actuators types RAR15 24D S2 and RAR15 220D S2.

Wiring



Dimensions



∅ (round) 10 to 19 mm
□ (square) 10 to 16 mm

We reserve the right to make changes in our products without any notice which may effect the accuracy of the information contained in this leaflet.